



Henke Manufacturing Corporation

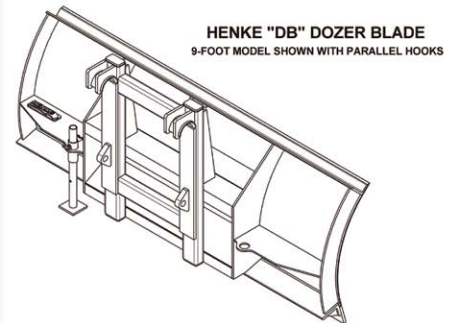
Distributed By:

Made in the USA  
For Over 90 Years

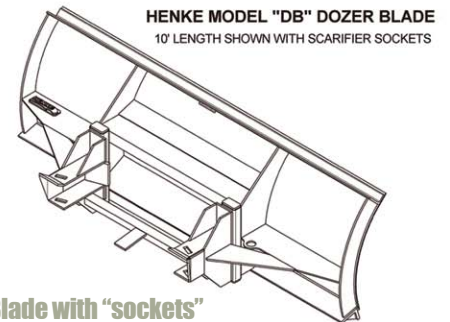
# Dozer Blades for Motor Graders and Loaders



▶ Dirks Dozer Blade



HENKE "DB" DOZER BLADE  
9-FOOT MODEL SHOWN WITH PARALLEL HOOKS



HENKE MODEL "DB" DOZER BLADE  
10' LENGTH SHOWN WITH SCARIFIER SOCKETS



▲ Optional Spring Cushioned Runners

▼ Henke Dozer-Blade with "sockets" Scarifier Lift Group Coupling

◀ Dirks Dozer-Blade shown with AQC Coupler



## Front Mounted Dozer Blades

- Year round application
- Smooth rolled moldboard reinforced with 1/2" ribs
- Horizontally reinforced with a top angle, bottom angle and more
- Will fit most late model machines
- AASHTO standard cutting edge bolt-hold pattern

# Built Tough – Built to Last!

3070 Wilson • Leavenworth, KS 66048 • (913) 682-9000 • Fax (913) 682-0300  
www.henkemfg.com • Toll Free 888-682-9010