



Henke Manufacturing Corporation

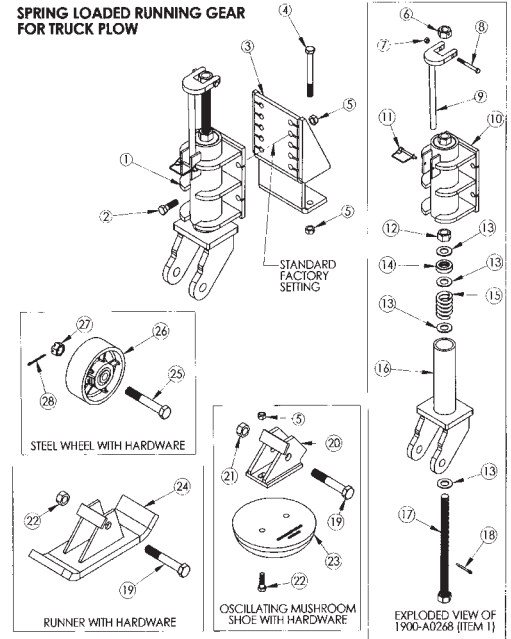
Distributed By:

Made in the USA
For Over 90 Years

Reversible Truck Mounted Inverted "J" Torsion Spring Trip Edge Snowplows



▲ Henke 43R11J Poly Shown with Optional Runners and Quick Hitch



▲ Henke 43R11J Shown with Optional Steel Wheels



▲ Henke 43R11J Poly Shown with Optional Curb Guards

Product Features:

- Available in 10', 11', 12' lengths
- Five torsion springs (6th spring optional) of .75" square wire shall be tension-adjustable
- 4 x 4 x 3/8 tube 109" long pushframe
- Reversing cylinders 3" bore x 16" stroke
- Polymer or steel moldboards

Built Tough – Built to Last!

3070 Wilson • Leavenworth, KS 66048 • (913) 682-9000 • Fax (913) 682-0300
www.henkemfg.com • Toll Free 888-682-9010