

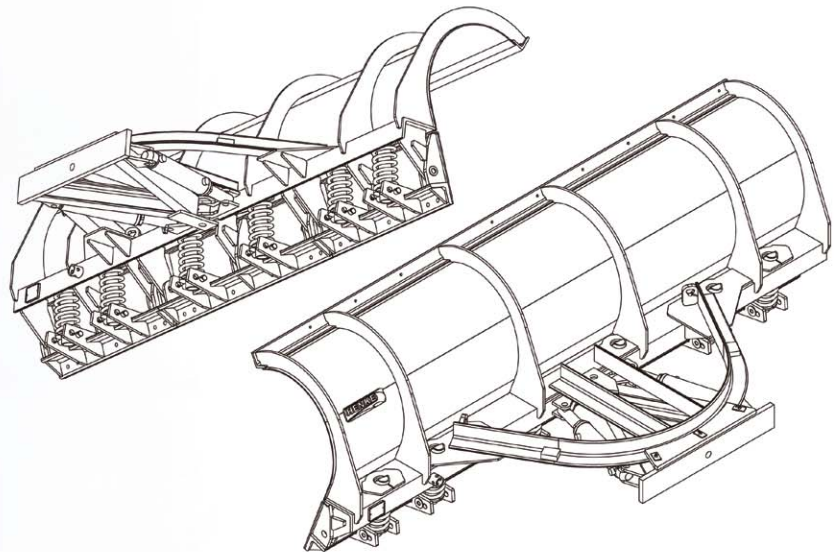


Henke Manufacturing Corporation

Distributed By:

Made in the USA
For Over 90 Years

Reversible Truck Mounted Compression Spring Trip Edge Snowplows



HENKE 36R10IS RIGID COMPRESSION TRIP-EDGE SNOW PLOW

AVAILABLE IN 1, 2, OR 3 SECTIONS (3-SECTION SHOWN)

Product Features:

- Safety trip-edge
- Clears obstacles and automatically resets to plowing position
- Hydraulic power reversing system allows infinite positioning to 35°
- Various running gear options available
- 10', 11', 12' lengths
- Available in 1, 2 or 3 sections



Henke 36R10IS Rigid Compression Trip-Edge Snow Plow Shown with Truck Hitch

Built Tough – Built to Last!

3070 Wilson • Leavenworth, KS 66048 • (913) 682-9000 • Fax (913) 682-0300
www.henkemfg.com • Toll Free 888-682-9010