

TIME TO SET UP YOUR PLOW

Line up the truck behind the plow, with the hitch lift arm in the lowest position. The plow should be horizontal, with pinholes at the same height as the truck hitch pins. Drive the truck into the hitch, so that the pins can be engaged. Engage the pins.

Loosen one end of the chain at the chain lock, and set the chain length so the chain arc is 2" above the hook, and fasten the loose end back into the chain lock. Center the sliding chain block into the high point of the chain arc, and place the sliding chain block on the life arm hook.

Using hitch arm truck hydraulics, lift up on the chain, keeping the plow edge parallel to the ground, so that the edge is at least 12" off the ground (carrying position). If 12" is not available, make arm or chain adjustments. Lower to operating position. Circle frame should be parallel to the ground.

Adjust running gear, so that the weight of the plow falls evenly on cutting edge and running gear. **This is the normal plowing position**

Test plow reversing function to see that hydraulics and stops work correctly. Check for cutting edge layback angle, which should be 15 degrees tilted back from perpendicular.

Adjust layback if necessary. Degree of layback may be adjusted for various cutting edges and conditions.

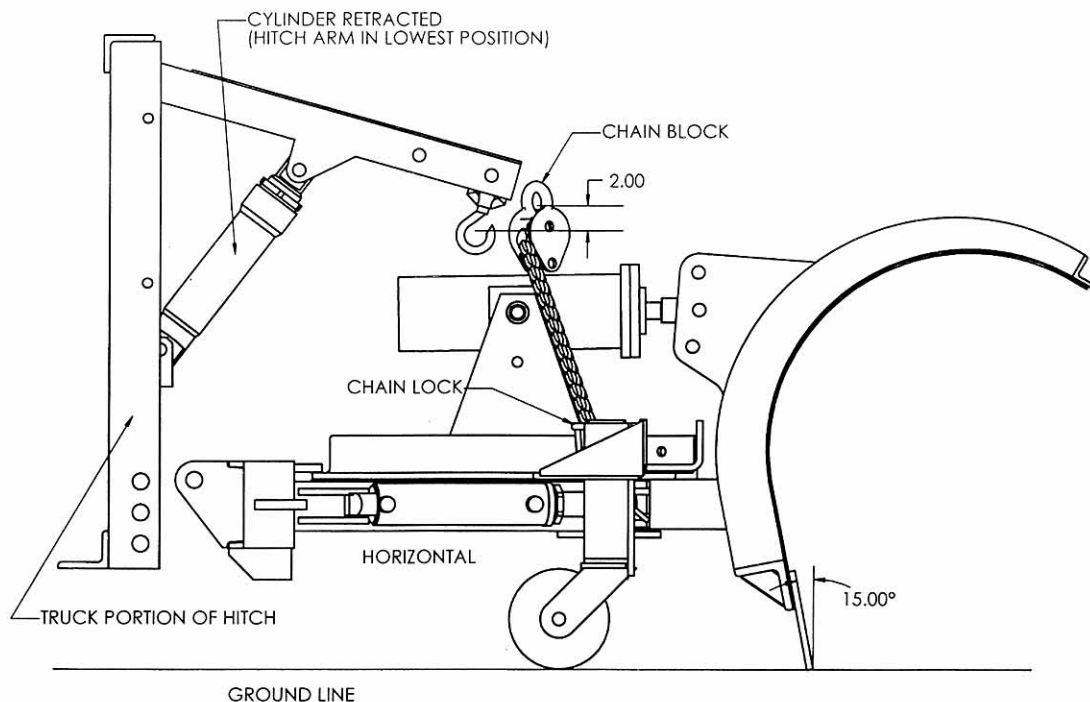
Carefully check trip mechanism against stationary object, and adjust if necessary. Cycle the lift-to-carry position and reversing function several times. If the plow drops on one end, set sliding chain block pin to restrict chain travel.

Do not back up the truck while the plow is in plowing position.

Return plow to the carry position, where cutting edge is 12" off the ground and parallel to the ground. **This is the normal carry position.**

REMEMBER THESE FIVE IMPORTANT STEPS

1. Line up, pin up, and adjust chain.
2. Adjust running gear for even weight distribution.
3. Adjust layback for best snow lift.
4. Check for horizontal push in plowing position.
5. Lift to carry position before moving any time.



HENKE MANUFACTURING CORPORATION
MANUFACTURES OF SNOW REMOVAL EQUIPMENT FOR 70 YEARS
BOX 709 • 3070 WILSON • LEAVENWORTH, KS 66048

PHONE (913) 682-9000
FAX (913) 682-0300